

QuikTap Catalog Numbers

When determining your catalog number replace the †† with the necessary length of conductor in the chart to the right.

Catalog Number	Description	Figure	Catalog Number	Description	Figure
38-7958-††	1/2" QuikTap (Single) X 2/0 Stranded	1	38-7982-††	1/2" QuikTap (Single) X 36-7562-00 LP Class I Cable	1
38-7959-††	1/2" QuikTap (Single) X 4/0 Stranded	1	38-7983-††	5/8" QuikTap (Single) X 36-7562-00 LP Class I Cable	1
38-7960-††	1/2" QuikTap (Double) X 2/0 Stranded	2	38-7984-††	3/4" QuikTap (Single) X 36-7562-00 LP Class I Cable	1
38-7961-††	1/2" QuikTap (Double) X 4/0 Stranded	2	38-7985-††	1" QuikTap (Single) X 36-7562-00 LP Class I Cable	1
38-7962-††	1/2" QuikTap (Single) X 2/0 Stranded To Ground Bar	3	38-8201-††	5/8" QuikTap (Single) X #6 Solid To 3/4"-1 1/4" Pipe Clamp	4
38-7963-††	1/2" QuikTap (Single) X 4/0 Stranded To Ground Bar	3	38-8202-††	5/8" QuikTap (Single) X #6 Solid To 1 1/2"-2" Pipe Clamp	4
38-7964-††	5/8" QuikTap (Single) X 2/0 Stranded	1	38-8203-††	5/8" QuikTap (Single) X #6 Solid To 2 1/2"-3" Pipe Clamp	4
38-7965-††	5/8" QuikTap (Single) X 4/0 Stranded	1	38-8204-††	5/8" QuikTap (Single) X #6 Solid To 3 1/2"-4" Pipe Clamp	4
38-7966-††	5/8" QuikTap (Double) X 2/0 Stranded	2	38-8205-††	5/8" QuikTap (Single) X #6 Solid To 5"-6" Pipe Clamp	4
38-7967-††	5/8" QuikTap (Double) X 4/0 Stranded	2	38-8206-††	3/4" QuikTap (Single) X #6 Solid To 3/4"-1 1/4" Pipe Clamp	4
38-7968-††	5/8" QuikTap (Single) X 2/0 Stranded To Ground Bar	3	38-8207-††	3/4" QuikTap (Single) X #6 Solid To 1 1/2"-2" Pipe Clamp	4
38-7969-††	5/8" QuikTap (Single) X 4/0 Stranded To Ground Bar	3	38-8208-††	3/4" QuikTap (Single) X #6 Solid To 2 1/2"-3" Pipe Clamp	4
38-7970-††	3/4" QuikTap (Single) X 2/0 Stranded	1	38-8209-††	3/4" QuikTap (Single) X #6 Solid To 3 1/2"-4" Pipe Clamp	4
38-7971-††	3/4" QuikTap (Single) X 4/0 Stranded	1	38-8210-††	3/4" QuikTap (Single) X #6 Solid To 5"-6" Pipe Clamp	4
38-7972-††	3/4" QuikTap (Double) X 2/0 Stranded	2	38-8221-††	5/8" QuikTap (Single) X 4/0 Stranded To 3/4"-1 1/4" Pipe Clamp	4
38-7973-††	3/4" QuikTap (Double) X 4/0 Stranded	2	38-8222-††	5/8" QuikTap (Single) X 4/0 Stranded To 1 1/2"-2" Pipe Clamp	4
38-7974-††	3/4" QuikTap (Single) X 2/0 Stranded To Ground Bar	3	38-8223-††	5/8" QuikTap (Single) X 4/0 Stranded To 2 1/2"-3" Pipe Clamp	4
38-7975-††	3/4" QuikTap (Single) X 4/0 Stranded To Ground Bar	3	38-8224-††	5/8" QuikTap (Single) X 4/0 Stranded To 3 1/2"-4" Pipe Clamp	4
38-7976-††	1" QuikTap (Single) X 2/0 Stranded	1	38-8225-††	5/8" QuikTap (Single) X 4/0 Stranded To 5"-6" Pipe Clamp	4
38-7977-††	1" QuikTap (Single) X 4/0 Stranded	1	38-8226-††	3/4" QuikTap (Single) X 4/0 Stranded To 3/4"-1 1/4" Pipe Clamp	4
38-7978-††	1" QuikTap (Double) X 2/0 Stranded	2	38-8227-††	3/4" QuikTap (Single) X 4/0 Stranded To 1 1/2"-2" Pipe Clamp	4
38-7979-††	1" QuikTap (Double) X 4/0 Stranded	2	38-8228-††	3/4" QuikTap (Single) X 4/0 Stranded To 2 1/2"-3" Pipe Clamp	4
38-7980-††	1" QuikTap (Single) X 2/0 Stranded To Ground Bar	3	38-8229-††	3/4" QuikTap (Single) X 4/0 Stranded To 3 1/2"-4" Pipe Clamp	4
38-7981-††	1" QuikTap (Single) X 4/0 Stranded To Ground Bar	3	38-8230-††	3/4" QuikTap (Single) X 4/0 Stranded To 5"-6" Pipe Clamp	4

EXAMPLES

38-7958-†† : † = 1 ft., ‡ = 5 ft.

38-7958-15 = 1/2" QuikTap (Single) with 15' long 2/0 Stranded Pigtail

38-8209-†† : † = 1 ft., F = 25 ft.

38-8209-1F = 3/4" QuikTap (Single) with 125 foot long #6 Solid To 3 1/2"-4" Pipe Clamp

† = Feet	‡ = Feet	‡ = Feet			
0	0	A =	0	M =	55
1	1	B =	5	N =	60
2	2	C =	10	P =	65
3	3	D =	15	R =	70
4	4	E =	20	S =	75
5	5	F =	25	T =	80
6	6	G =	30	V =	85
7	7	H =	35	W =	90
8	8	J =	40	X =	95
9	9	K =	45	Y =	
		L =	50	Z =	

Introducing thermOweld's QuikTap™ Ground Rod Connection

The QuikTap is a multi functional grounding solution that allows you to connect to a ground rod using a irreversible connection.

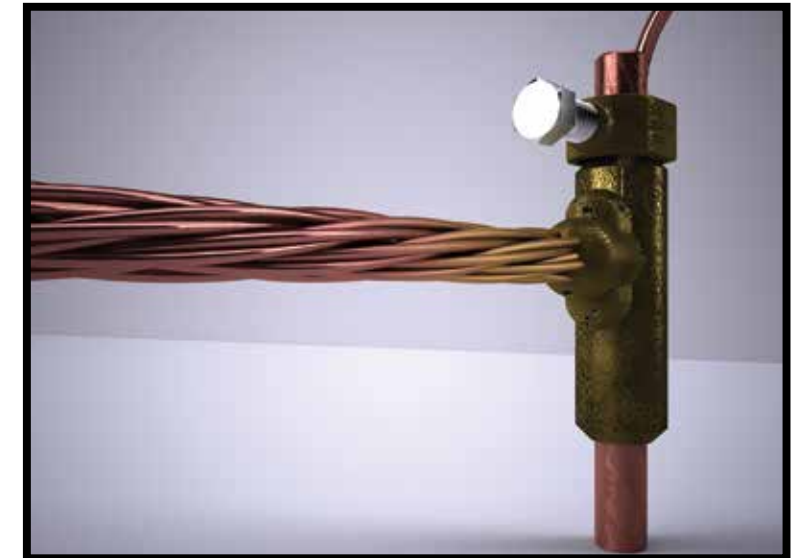
Whether you want to connect multiple grounding conductors to create a grounding grid, ground/bus bars, fences, or lightning protection systems, QuikTap is the quick and easy way to install your grounding system in the field without the need for a burn permit or concern around volatile or hazardous job sites.

QuikTap is a conductor exothermally welded to a coupling (either compression or threaded) on one end. The other end of the conductor can have various solutions, such as; blank, another QuikTap, ground bar, or fence clamp. For lightning protection systems LP conductors are used.

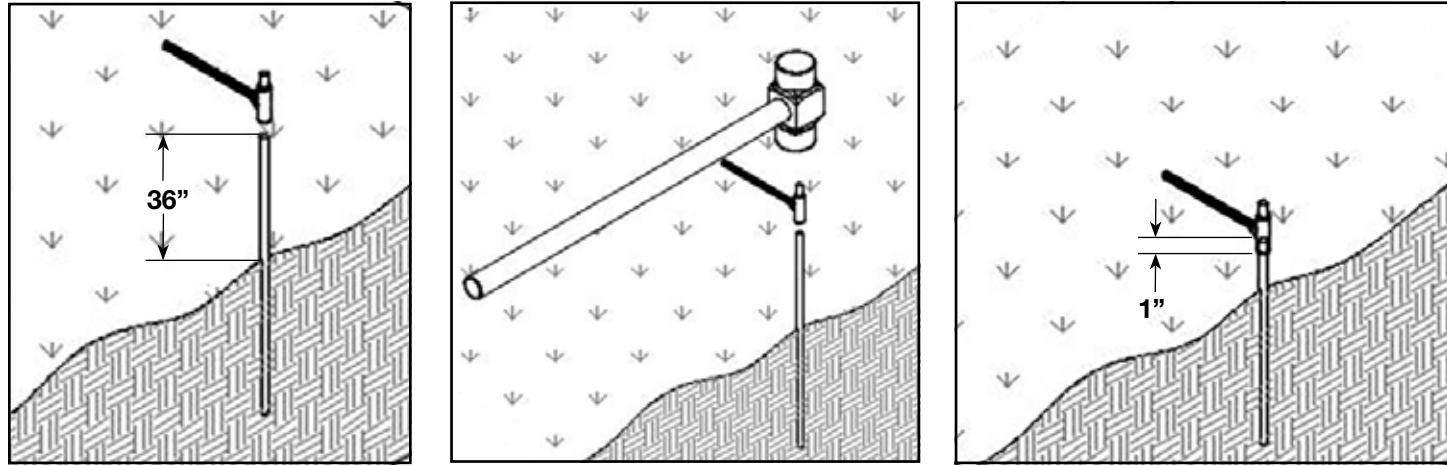
The length is specified by the customer.

Features and Benefits:

- Irreversible connection no maintenance
- No need to weld in the field
- No burn permit needed
- Perfect for volatile or hazardous jobsites
- Pigtail conductor lengths available from 1' - 995'
- Compatible with all ground rod types & configurations
- Can be used for lightning protection systems
- Available with threaded or compression
- Doesn't require installation driving head
- Quick and easy to install



QuikTap Installation: As easy as installing your ground rod the QuikTap is installed at the same time.



QuikTap for Grounding Grid and Lightning Protection Applications

QuikTap is designed to allow the installer to stack multiple QuikTaps onto each other. This allows the installer to direct the conductors in various directions off of the ground rod.

QuikTap for lightning protection uses LP conductors to connect the lightning protection system to the grounding grid.



QuikTap stacked for multiple direction application.

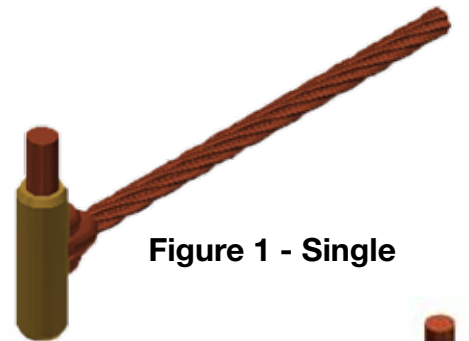


Figure 1 - Single

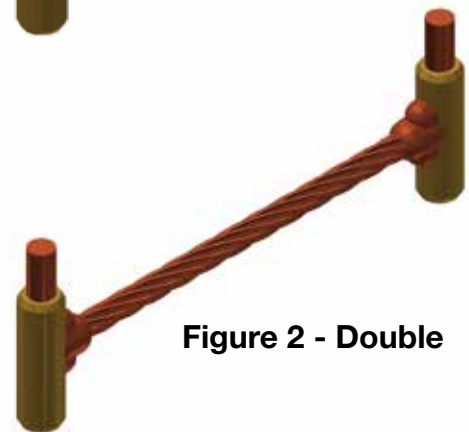


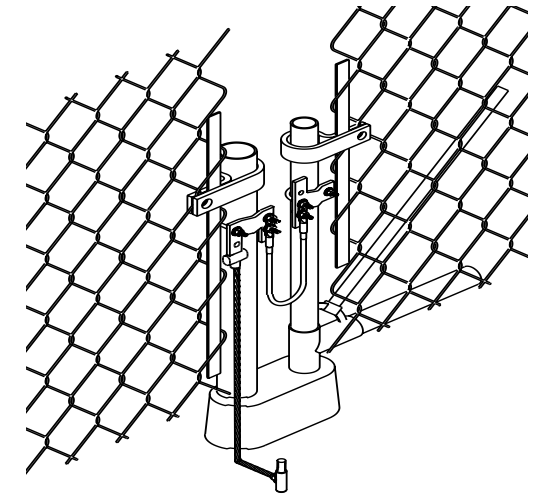
Figure 2 - Double

QuikTap for Fencing Applications

When you need to ground your fence to ensure sufficient electrical contact for both ground fault and lightning current.



Figure 4 - Single to Pipe Clamp



QuikTap for Grounding ground/Bus Bars Applications

QuikTap is used with a ground bar exothermically welded to the opposite end to allow lug bonds to be attached to the grounding grid.



Figure 3 - Single to Ground Bar

